

ITST Implant Ordering Information

Prod. No.	Description	Size
00-2257-000-07	ITST Asia Set (contains the following)	
00-2256-180-10	Univ L/R Fem IM Nail	10mmDX18cm
00-2256-180-11	Univ L/R Fem IM Nail	11mmDX18cm
00-2256-180-12	Univ L/R Fem IM Nail	12mmDX18cm
00-2256-180-13	Univ L/R Fem IM Nail	13mmDX18cm
00-2256-180-14	Univ L/R Fem IM Nail	14mmDX18cm
00-2256-180-15	Univ L/R Fem IM Nail	15mmDX18cm
00-2257-000-05	ITST Global Short Set (contains the following)	
00-2257-180-10	Univ L/R Fem IM Nail	10mmDX18cm
00-2257-180-11	Univ L/R Fem IM Nail	11mmDX18cm
00-2257-180-12	Univ L/R Fem IM Nail	12mmDX18cm
00-2257-180-13	Univ L/R Fem IM Nail	13mmDX18cm
00-2257-180-14	Univ L/R Fem IM Nail	14mmDX18cm
00-2257-180-15	Univ L/R Fem IM Nail	15mmDX18cm
00-2257-000-06	ITST Global Long Set (contains the following)	
00-2257-300-00	Left Fem IM Nail	10mmDX30cm
00-2257-300-01	Left Fem IM Nail	11mmDX30cm
00-2257-300-02	Left Fem IM Nail	12mmDX30cm
00-2257-300-03	Left Fem IM Nail	13mmDX30cm
00-2257-300-04	Left Fem IM Nail	14mmDX30cm
00-2257-300-10	Right Fem IM Nail	10mmDX30cm
00-2257-300-11	Right Fem IM Nail	11mmDX30cm
00-2257-300-12	Right Fem IM Nail	12mmDX30cm
00-2257-300-13	Right Fem IM Nail	13mmDX30cm
00-2257-300-14	Right Fem IM Nail	14mmDX30cm
00-2257-320-00	Left Fem IM Nail	10mmDX32cm
00-2257-320-01	Left Fem IM Nail	11mmDX32cm
00-2257-320-02	Left Fem IM Nail	12mmDX32cm
00-2257-320-03	Left Fem IM Nail	13mmDX32cm
00-2257-320-04	Left Fem IM Nail	14mmDX32cm
00-2257-320-10	Right Fem IM Nail	10mmDX32cm
00-2257-320-11	Right Fem IM Nail	11mmDX32cm
00-2257-320-12	Right Fem IM Nail	12mmDX32cm
00-2257-320-13	Right Fem IM Nail	13mmDX32cm
00-2257-320-14	Right Fem IM Nail	14mmDX32cm
00-2257-340-00	Left Fem IM Nail	10mmDX34cm
00-2257-340-01	Left Fem IM Nail	11mmDX34cm
00-2257-340-02	Left Fem IM Nail	12mmDX34cm
00-2257-340-03	Left Fem IM Nail	13mmDX34cm
00-2257-340-04	Left Fem IM Nail	14mmDX34cm
00-2257-340-10	Right Fem IM Nail	10mmDX34cm
00-2257-340-11	Right Fem IM Nail	11mmDX34cm
00-2257-340-12	Right Fem IM Nail	12mmDX34cm
00-2257-340-13	Right Fem IM Nail	13mmDX34cm
00-2257-340-14	Right Fem IM Nail	14mmDX34cm
00-2257-360-00	Left Fem IM Nail	10mmDX36cm
00-2257-360-01	Left Fem IM Nail	11mmDX36cm
00-2257-360-02	Left Fem IM Nail	12mmDX36cm
00-2257-360-03	Left Fem IM Nail	13mmDX36cm
00-2257-360-04	Left Fem IM Nail	14mmDX36cm
00-2257-360-10	Right Fem IM Nail	10mmDX36cm
00-2257-360-11	Right Fem IM Nail	11mmDX36cm
00-2257-360-12	Right Fem IM Nail	12mmDX36cm
00-2257-360-13	Right Fem IM Nail	13mmDX36cm
00-2257-360-14	Right Fem IM Nail	14mmDX36cm
00-2257-380-00	Left Fem IM Nail	10mmDX38cm
00-2257-380-01	Left Fem IM Nail	11mmDX38cm
00-2257-380-02	Left Fem IM Nail	12mmDX38cm
00-2257-380-03	Left Fem IM Nail	13mmDX38cm
00-2257-380-04	Left Fem IM Nail	14mmDX38cm
00-2257-380-10	Right Fem IM Nail	10mmDX38cm
00-2257-380-11	Right Fem IM Nail	11mmDX38cm
00-2257-380-12	Right Fem IM Nail	12mmDX38cm
00-2257-380-13	Right Fem IM Nail	13mmDX38cm
00-2257-380-14	Right Fem IM Nail	14mmDX38cm
00-2257-400-00	Left Fem IM Nail	10mmDX40cm
00-2257-400-01	Left Fem IM Nail	11mmDX40cm
00-2257-400-02	Left Fem IM Nail	12mmDX40cm
00-2257-400-03	Left Fem IM Nail	13mmDX40cm
00-2257-400-04	Left Fem IM Nail	14mmDX40cm
00-2257-400-10	Right Fem IM Nail	10mmDX40cm
00-2257-400-11	Right Fem IM Nail	11mmDX40cm
00-2257-400-12	Right Fem IM Nail	12mmDX40cm
00-2257-400-13	Right Fem IM Nail	13mmDX40cm
00-2257-400-14	Right Fem IM Nail	14mmDX40cm
00-2257-420-00	Left Fem IM Nail	10mmDX42cm
00-2257-420-01	Left Fem IM Nail	11mmDX42cm
00-2257-420-02	Left Fem IM Nail	12mmDX42cm
00-2257-420-03	Left Fem IM Nail	13mmDX42cm
00-2257-420-04	Left Fem IM Nail	14mmDX42cm
00-2257-420-10	Right Fem IM Nail	10mmDX42cm
00-2257-420-11	Right Fem IM Nail	11mmDX42cm
00-2257-420-12	Right Fem IM Nail	12mmDX42cm
00-2257-420-13	Right Fem IM Nail	13mmDX42cm
00-2257-420-14	Right Fem IM Nail	14mmDX42cm
00-2257-440-00	Left Fem IM Nail	10mmDX44cm
00-2257-440-01	Left Fem IM Nail	11mmDX44cm
00-2257-440-02	Left Fem IM Nail	12mmDX44cm

Prod. No.	Description	Size
00-2257-440-03	Left Fem IM Nail	13mmDX44cm
00-2257-440-04	Left Fem IM Nail	14mmDX44cm
00-2257-440-10	Right Fem IM Nail	10mmDX44cm
00-2257-440-11	Right Fem IM Nail	11mmDX44cm
00-2257-440-12	Right Fem IM Nail	12mmDX44cm
00-2257-440-13	Right Fem IM Nail	13mmDX44cm
00-2257-440-14	Right Fem IM Nail	14mmDX44cm
00-2257-460-00	Left Fem IM Nail	10mmDX46cm
00-2257-460-01	Left Fem IM Nail	11mmDX46cm
00-2257-460-02	Left Fem IM Nail	12mmDX46cm
00-2257-460-03	Left Fem IM Nail	13mmDX46cm
00-2257-460-04	Left Fem IM Nail	14mmDX46cm
00-2257-460-10	Right Fem IM Nail	10mmDX46cm
00-2257-460-11	Right Fem IM Nail	11mmDX46cm
00-2257-460-12	Right Fem IM Nail	12mmDX46cm
00-2257-460-13	Right Fem IM Nail	13mmDX46cm
00-2257-460-14	Right Fem IM Nail	14mmDX46cm
00-2257-480-00	Left Fem IM Nail	10mmDX48cm
00-2257-480-01	Left Fem IM Nail	11mmDX48cm
00-2257-480-02	Left Fem IM Nail	12mmDX48cm
00-2257-480-03	Left Fem IM Nail	13mmDX48cm
00-2257-480-04	Left Fem IM Nail	14mmDX48cm
00-2257-480-10	Right Fem IM Nail	10mmDX48cm
00-2257-480-11	Right Fem IM Nail	11mmDX48cm
00-2257-480-12	Right Fem IM Nail	12mmDX48cm
00-2257-480-13	Right Fem IM Nail	13mmDX48cm
00-2257-480-14	Right Fem IM Nail	14mmDX48cm
00-2257-500-00	Left Fem IM Nail	10mmDX50cm
00-2257-500-01	Left Fem IM Nail	11mmDX50cm
00-2257-500-02	Left Fem IM Nail	12mmDX50cm
00-2257-500-03	Left Fem IM Nail	13mmDX50cm
00-2257-500-04	Left Fem IM Nail	14mmDX50cm
00-2257-500-10	Right Fem IM Nail	10mmDX50cm
00-2257-500-11	Right Fem IM Nail	11mmDX50cm
00-2257-500-12	Right Fem IM Nail	12mmDX50cm
00-2257-500-13	Right Fem IM Nail	13mmDX50cm
00-2257-500-14	Right Fem IM Nail	14mmDX50cm
Nail Caps		
00-2259-007-00	ITST 1-Piece Slide Nail Cap	0mm
00-2259-007-05	ITST 1-Piece Slide Nail Cap	5mm
00-2259-007-10	ITST 1-Piece Slide Nail Cap	10mm
00-2259-007-15	ITST 1-Piece Slide Nail Cap	15mm
00-2259-007-20	ITST 1-Piece Slide Nail Cap	20mm
00-2259-008-00	ITST 1-Piece Lock Nail Cap	0mm
00-2259-008-05	ITST 1-Piece Lock Nail Cap	5mm
00-2259-008-10	ITST 1-Piece Lock Nail Cap	10mm
00-2259-008-15	ITST 1-Piece Lock Nail Cap	15mm
00-2259-008-20	ITST 1-Piece Lock Nail Cap	20mm
00-2259-009-00	ITST One-Piece NTRL Nail Cap	0mm
00-2259-009-05	ITST One-Piece NTRL Nail Cap	5mm
00-2259-009-10	ITST One-Piece NTRL Nail Cap	10mm
00-2259-009-15	ITST One-Piece NTRL Nail Cap	15mm
00-2259-009-20	ITST One-Piece NTRL Nail Cap	20mm
00-2257-000-09 Anti-Rotation Screws (contains the following)		
00-2257-060-65	ITST Anti-Rotate Screw	6.5mmDX60mm
00-2257-065-65	ITST Anti-Rotate Screw	6.5mmDX65mm
00-2257-070-65	ITST Anti-Rotate Screw	6.5mmDX70mm
00-2257-075-65	ITST Anti-Rotate Screw	6.5mmDX75mm
00-2257-080-65	ITST Anti-Rotate Screw	6.5mmDX80mm
00-2257-085-65	ITST Anti-Rotate Screw	6.5mmDX85mm
00-2257-090-65	ITST Anti-Rotate Screw	6.5mmDX90mm
00-2257-095-65	ITST Anti-Rotate Screw	6.5mmDX95mm
00-2257-100-65	ITST Anti-Rotate Screw	6.5mmDX100mm
00-2257-105-65	ITST Anti-Rotate Screw	6.5mmDX105mm
00-2257-110-65	ITST Anti-Rotate Screw	6.5mmDX110mm
ITST Asia Lag Screws		
00-2256-002-27	Asia 1-Piece Lag Screw	11mm X 70mm
00-2256-002-30	Asia 1-Piece Lag Screw	11mm X 75mm
00-2256-002-32	Asia 1-Piece Lag Screw	11mm X 80mm
00-2256-002-35	Asia 1-Piece Lag Screw	11mm X 85mm
00-2256-002-37	Asia 1-Piece Lag Screw	11mm X 90mm
00-2256-002-40	Asia 1-Piece Lag Screw	11mm X 95mm
00-2256-002-42	Asia 1-Piece Lag Screw	11mm X 100mm
00-2256-002-45	Asia 1-Piece Lag Screw	11mm X 105mm
00-2256-002-47	Asia 1-Piece Lag Screw	11mm X 110mm
00-2256-002-50	Asia 1-Piece Lag Screw	11mm X 115mm
00-2256-002-52	Asia 1-Piece Lag Screw	11mm X 120mm
ITST STD Lag Screws		
00-2259-001-27	1-Piece Lag Screw	11mm X 70mm
00-2259-001-30	1-Piece Lag Screw	11mm X 75mm
00-2259-001-32	1-Piece Lag Screw	11mm X 80mm
00-2259-001-35	1-Piece Lag Screw	11mm X 85mm
00-2259-001-37	1-Piece Lag Screw	11mm X 90mm
00-2259-001-40	1-Piece Lag Screw	11mm X 95mm
00-2259-001-42	1-Piece Lag Screw	11mm X 100mm
00-2259-001-45	1-Piece Lag Screw	11mm X 105mm
00-2259-001-47	1-Piece Lag Screw	11mm X 110mm
00-2259-001-50	1-Piece Lag Screw	11mm X 115mm
00-2259-001-52	1-Piece Lag Screw	11mm X 120mm

Prod. No.	Description	Size
00-2258-000-11	ITST Short Nail Instrument Set for use with Mod Targeting Guide	
00-2258-007-00	ITST Short Nail Instrument Case Tray	
00-2258-008-00	ITST Instrument Case Lid	
00-2237-053-00	Wire Grip T-Handle	
00-2237-061-00	Canulated Awl	
00-2255-028-00	9/16 in. Pin Wrench	
00-2255-038-00	T-Handle	
00-2258-051-01	Locking Bolt Extractor	
00-2258-051-02	Locking Bolt Inserter	
00-2258-090-00	ITST Cannula	
00-2258-091-00	ITST Centering Bushing	
00-2258-092-03	MIS Nail Cap Inserter Link	
00-2258-092-04	MIS Nail Cap Inserter	
00-2258-096-00	U-Joint Sleeve	
00-5791-049-00	Screw Inserter/Extractor	
00-2258-054-00	Threaded Guide Pin Bushing	
00-2258-056-00	ITST Lag Screw Bushing	
00-2258-058-00	Lag Screw Reamer	
00-2258-059-00	Lag Screw Tap	
00-2258-062-00	Stop Assembly (Qty: 2)	
00-2258-068-32	ITST Pin Bushing 3.2mm	
00-2258-068-50	ITST Drill Bushing 5.0mm	
00-2258-068-80	ITST Screw Bushing 8.0mm (Qty: 2)	
00-2258-069-50	ITST Femoral Drill 5.0mm	
00-2258-097-00	ITST Lag Screw Compression Device	
00-2258-000-06	ITST Modular Targeting Guide Set (Standard and MIS Technique Options)	
00-2258-052-03	ITST Standard Barrel	
00-2258-052-04	ITST MIS Barrel	
00-2258-052-05	ITST Targeting Arm	
00-2258-052-06	Targeting Arm Nut	
00-2258-052-09	Modular Connecting Bolt	
00-2258-052-10	ITST Asia Locking Bolt	
00-2258-053-01	Modular Targeting Guide Outrigger	
00-2258-053-02	Modular Targeting Guide Pin	
00-2258-053-03	Long 3.2mm Threaded Guide Pin	
00-2258-053-04	Long Canulated Depth Gauge	
00-2258-053-05	ITST Short Nail Instrument Case Base	
00-2258-000-10	ITST Modular Targeting Guide Asia Set (set includes all instruments and case)	
00-2258-052-12	ITST Asia Barrel	
00-2258-052-13	ITST Asia Targeting Arm	
00-2258-052-06	Targeting Arm Nut	
00-2258-052-09	Modular Connecting Bolt	
00-2258-052-10	ITST Asia Locking Bolt	
00-2258-053-01	Modular Targeting Guide Outrigger	
00-2258-053-02	Modular Targeting Guide Pin	
00-2258-053-03	Long 3.2mm Threaded Guide Pin	
00-2258-053-04	Long Canulated Depth Gauge	
00-2258-053-05	ITST Short Nail Instrument Case Base	

This documentation is intended exclusively for physicians and is not intended for laypersons. Information on the products and procedures contained in this document is of a general nature and does not represent and does not constitute medical advice or recommendations. Because this information does not purport to constitute any diagnostic or therapeutic statement with regard to any individual medical case, each patient must be examined and advised individually, and this document does not replace the need for such examination and/or advice in whole or in part. Please refer to the package inserts for important product information, including, but not limited to, contraindications, warnings, precautions, and adverse effects.

CE
0086

Contact your Zimmer representative or visit us at www.zimmer.com

The CE mark is valid only if it is also printed on the product label.





**Zimmer® ITST®
Intertrochanteric/
Subtrochanteric
Fixation System**

MIS and Standard
Abbreviated Surgical Technique



1 Creating the Entry Portal

Place the cannulated awl at the selected starting point and confirm its position in both the A/P and lateral planes on C-arm. Advance the cannulated awl through the greater trochanter to the lesser trochanter location.

This technique is written for standard or MIS procedure. Please consult the expanded technique for differences between the standard and MIS techniques.



2 Guide Wire Placement

Attach the 3.0mm Bulb-tipped Guide Wire to the Wire Grip T-Handle. Insert the guide wire through the cannulated awl past the fracture site. Pass the wire to the distal epiphyseal scar.

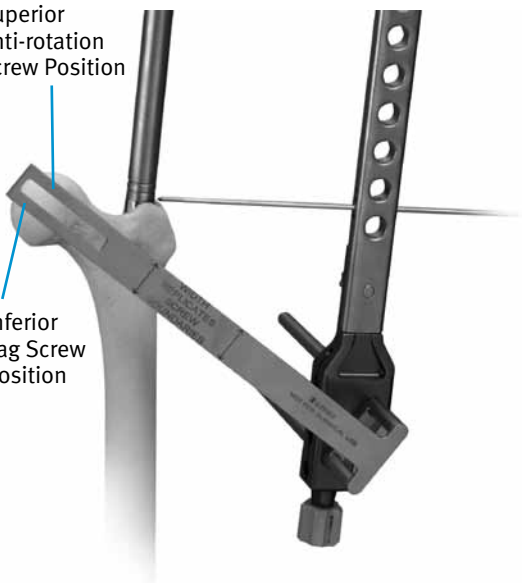
For long nails only
Connect the 2 piece Nail Length Gauge. Slide the gauge over the Guide Wire and measure.



7 Lag Screw Positioning

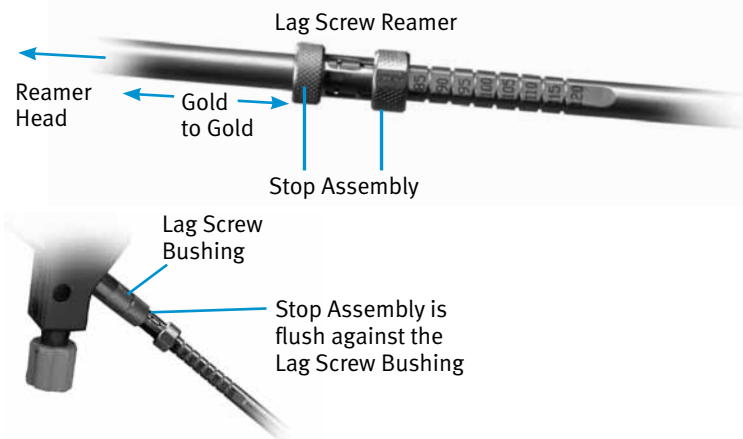
Superior Anti-rotation Screw Position

Inferior Lag Screw Position



The projected path of the Lag Screw into the Femoral Head should be assessed using the C-arm. This may be verified using the Screw Position Outrigger (A/P).

8 Lag Screw Preparation

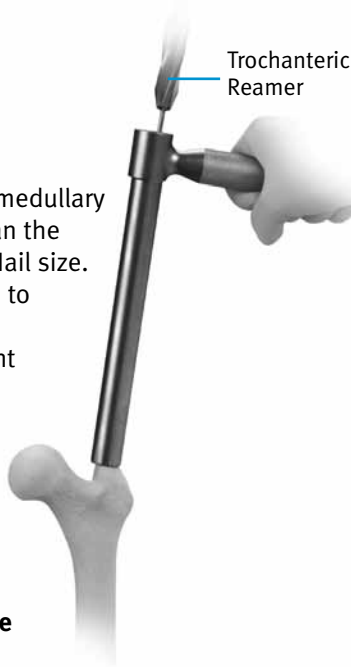


Insert Lag Screw Pin Bushing and Lag Screw Bushing together into the inferior screw hole in the Targeting Guide. Drill the Guide Pin to the level of the subchondral bone of the femoral head. This measurement designates the correct length of the Lag Screw to be implanted. Under power, advance the reamer until the Stop Assembly stops against the Lag Screw Bushing. Monitor progress of the reamer using the C-arm.

3 Reaming

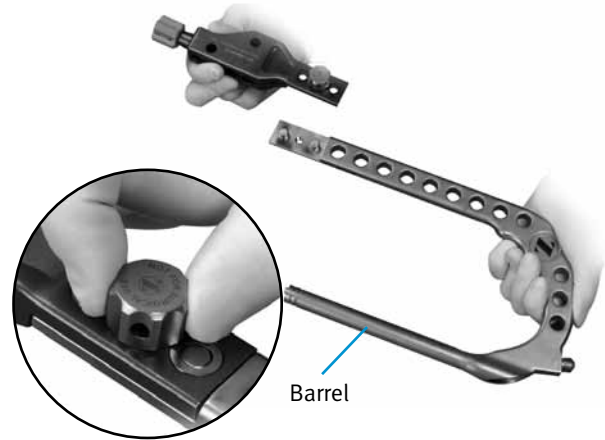
For long Nails, ream the medullary canal to 1mm greater than the diameter of the chosen Nail size. Ream trochanteric region to 17mm in diameter to accommodate the implant using the Trochanteric Reamer. Ream to the level of the lesser trochanter.

NOTE: If the Guide Wire becomes lodged within the reamer, use the Wire Grip T-Handle to push the Guide Wire back into the IM canal.

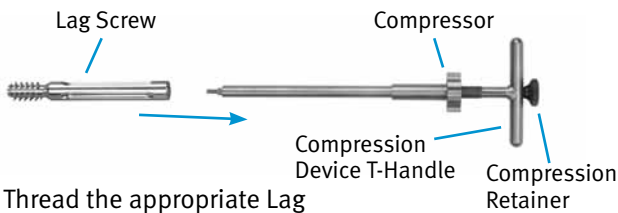


4 Guide Assembly

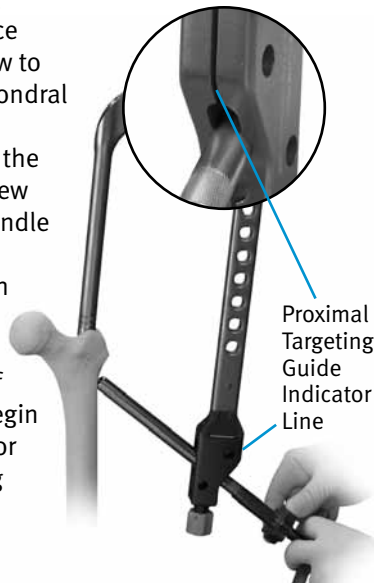
Attach the blue Modular Targeting Arm to the Barrel using the Connecting Bolt. Tighten the Connecting Bolt by hand. Twist the Targeting Arm Nut on to the end of the Blue Targeting Guide.



9 Lag Screw Insertion with ITST Compression Device



Thread the appropriate Lag Screw securely to the Lag Screw Compression Device T-Handle. Insert Lag Screw to within 5mm of the subchondral bone, monitoring the Lag Screw advancement with the C-arm. Rotate the Lag Screw Compression Device T-Handle such that one of the four etched lines is in line with the slot in the Proximal Targeting Guide. If intra operative compression of the fracture is desired, begin advancing the Compressor clockwise against the Lag Screw Bushing.



10a Distal Screw Fixation – 180mm / Short Nails

Assemble appropriate Bushings into the *ITST* Targeting Guide. Drill, measure and insert appropriate sized screws.

ITST Global Nails 180mm	Diameter Distal Screw	Drill Size
10mm Nail	4.5mm Screw	3.7mm Drill
11mm Nail	5.5mm Screw	5.0mm Drill
12mm Nail	5.5mm Screw	5.0mm Drill
13mm Nail	5.5mm Screw	5.0mm Drill
14mm Nail	5.5mm Screw	5.0mm Drill
15mm Nail	5.5mm Screw	5.0mm Drill

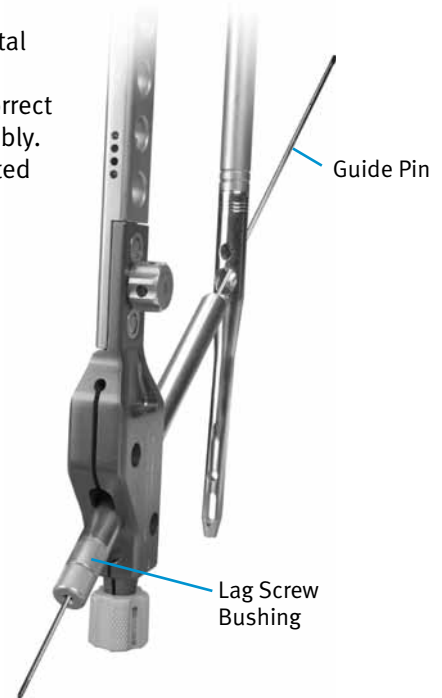
5 Nail Assembly



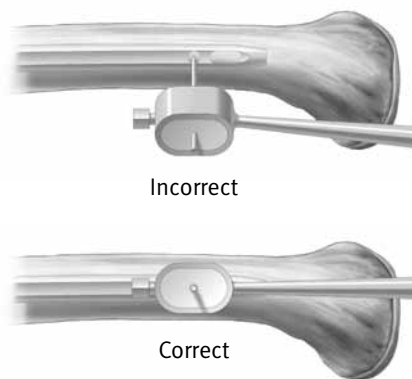
Select the appropriate size *ITST* Femoral Nail. Slide the *ITST* Locking Bolt through the barrel and secure the locking bolt to the properly aligned nail.

6 Nail Insertion

Check lag and distal (short nail only) screw holes for correct instrument assembly. Nail may be inserted by hand.



10b Distal Screw Fixation – Long Nails – Freehand Technique



ITST Global Nails 300mm-500mm

10mm Nail	4.5mm Screw	3.7mm Drill
11mm Nail	5.5mm Screw	5.0mm Drill
12mm Nail	5.5mm Screw	5.0mm Drill
13mm Nail	5.5mm Screw	5.0mm Drill
14mm Nail	5.5mm Screw	5.0mm Drill

11 Completion

Insert the appropriate Nail Cap: Neutral Nail Cap, Sliding Nail Cap, or Locking Nail Cap with the Nail Cap Inserter. Tighten until fully seated.

* All Nail Caps are available in 0, 5, 10, 15, and 20mm head heights.

